



With a high-resolution graphic display and intuitive features, Solis analytical balances provide an outstanding solution for a variety of lab applications. Versatile and resilient, the Solis is ideal for research and quality assurance labs; science education; precision counting; and production and manufacturing applications needing precision results. The Solis keypad is simple to use, with easy-to-read buttons and helpful navigation arrows for uncomplicated operation.

Superb performance and simple operation for demanding laboratories



Features

- High-resolution graphic display is amply sized for clear visibility
- Level indicator and adjustable feet ensure proper balance setup for optimum weighing results
- Security slot for optional Kensington-type lock and cable to help prevent theft
- Large, grade 304 stainless steel pan allows easy cleaning
- RS-232 interface is available to provide speedy connection to computers and printers
- External calibration allows for verification and adjustment with weights
- Selectable digital filtering helps minimise effects of vibration and disturbances
- Printouts include date and time for data tracking within Good Laboratory Practices (GLP) guidelines
- Multilingual display allows use in many different countries
- Checkweighing with audible alarm
- Parts counting with preset sample sizes
- AC adapter included

Applications

- Weighing
- Parts counting
- Percentage weighing
- Checkweighing
- Dynamic / animal weighing
- Density determination
- Formulation
- Peak hold

About ADAM:

For more than 45 years, professionals worldwide have relied on Adam Equipment for an extensive selection of dependable and affordable weighing equipment. Adam provides the right balance of speed, performance and value.

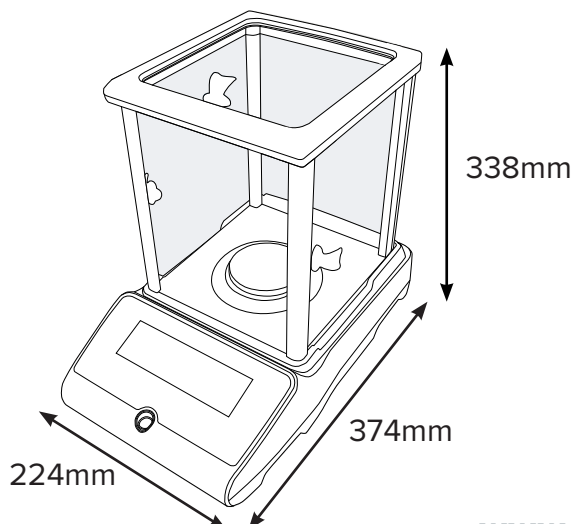
Product Details

Model	SAB 125i	SAB 225i	SAB 124e	SAB 224e	SAB 314e	SAB 124i	SAB 224i	SAB 314i	SAB 414i	SAB 514i
Capacity	62g / 120g	82g / 220g	120g	220g	310g	120g	220g	310g	410g	510g
Readability	0.01mg/ 0.1mg	0.01mg/ 0.1mg	0.0001g	0.0001g	0.0001g	0.0001g	0.0001g	0.0001g	0.0001g	0.0001g
Repeatability (S.D.)	0.03mg/ 0.1mg	0.05mg/ 0.1mg	0.0001g	0.0001g	0.0001g	0.0001g	0.0001g	0.0001g	0.35mg	0.35mg
Linearity (+/-)	0.08mg / 0.2mg	0.1mg / 0.2mg	0.0003g	0.0003g	0.0004g	0.0003g	0.0003g	0.0004g	0.0005g	0.0005g
Minimum Weight (USP, typical)	10mg	10mg	10mg	10mg	10mg	10mg	10mg	10mg	10mg	10mg
Pan Size	80mm ø									
Weighing Units	g, mg, lb, oz, ct, GN, dwt, mm, ozt, T, tl.H, tl.S, tl.T, custom unit									
Stabilization Time (sec)	6					4				
Interface	RS-232									
Calibration	Internal automatic calibration			External calibration			Internal automatic calibration			
Display	Graphic display with 15mm high digits									
Power Supply	24V 50/60Hz 500mA adapter									
Operating Temperature	10° to 30°C / 50° to 86°F									
Housing	ABS plastic									
Draft Shield	192x195x230mm									
Overall Dim.	224x374x338mm									
Net Weight	7kg			6.7kg			7kg			

Accessories

Item number Description

- 104008036Anti-vibration table
- 1060014262Density kit for balance up to 0.001g readability
- 3012014259In-use cover
- 1120011156ATP thermal printer
- 3126011263ATP thermal printer paper
- 3126011281ATP thermal printer paper (pack of 10)
- 3014011014RS-232 cable M-F
- 700100046Kensington-type lock and cable
- 600002028AdamDU Data Collection Program
- 700660290Calibration certificate
- 700100410ABI-1 loniser
- 700100207E2 1g to 200g calibration weight set
- 700100022E2 100g calibration weight
- 700100023E2 200g calibration weight
- 700100419E1 1mg - 50g Calibration Weight Set
- 700100420E1 1mg - 100g Calibration Weight Set
- 700100421E1 1mg - 200g Calibration Weight Set
- 700100398E1 5g Calibration Weight
- 700100399E1 10g Calibration Weight
- 700100400E1 20g Calibration Weight
- 700100401E1 50g Calibration Weight
- 700100026E2 1mg - 200g calibration weight set

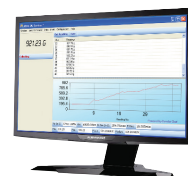


Key Accessories



ATP thermal printer

Easy-to-use features combined with quick set-up equals a truly versatile thermal printer. A single push-button feed key and three easy-to-read LED indicators make operation simple.



AdamDU data collection program

Adam DU software connects a balance to the laboratory network, helping to achieve seamless data collection, transfer and analysis. DU features an easy-to-use interface with a main command window, allowing users to quickly collect information from up to eight Adam balances simultaneously using RS-232 or USB connections.



Hassellunden 11A, 2765 Smørum
 Tel. 45 95 04 10
 info@buhl-bonsoe.dk
 www.buhl-bonsoe.dk

www.adamequipment.co.uk

Adam Equipment follows a policy of continuous improvement and reserves the right to change specification and pricing without notice. Adam Equipment's standard terms and conditions of sale apply. Errors and omissions excepted.